

Cabinet U-Handles

Aluminum

SPECIFICATION

Types

- Type **A**: Closed type
- Type **B**: Open ended type, mounting from the back (threaded blind bore)
- Type **C**: Open ended type, mounting from the operator's side

Handle

Aluminum

Powder coated

- Black, RAL 9005, textured finish **SW**
- Silver, RAL 9006, textured finish **SR**

Cover cap for type C

Plastic

- Black for SW
- Light gray for SR

INFORMATION

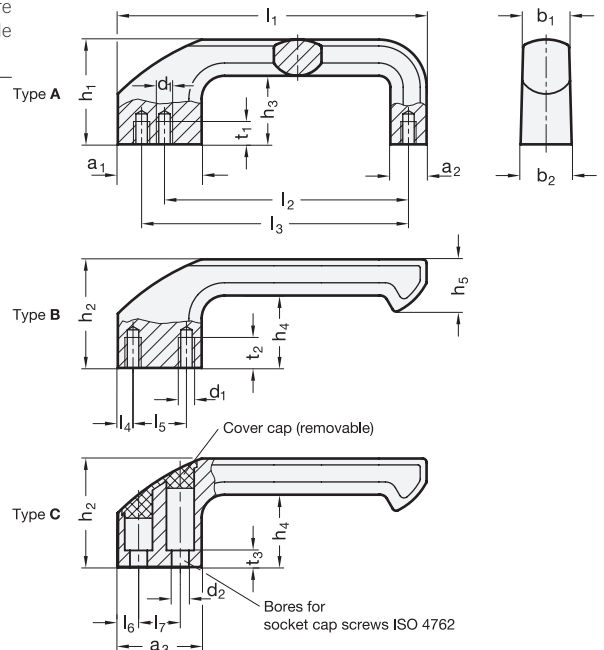
A special characteristic of the cabinet U-handles GN 559 is the thumb rest pad on the front of the leg. At the same time the extended leg offers an open ended version with wide access.

The fastening bores of type C are closed by a cover cap following the handle installation. The cover cap is included in the delivery contents.

Cabinet U-handles GN 559 are known for their high stability. They are fixed by two M8 screws whereby type A offers two alternative hole centers (l_2 or l_3).

TECHNICAL INFORMATION

- Load Rating Information (see page A35)



* Complete with

SW RAL9005 **SR** RAL9006

GN 559-A

Description	l_1	a_1	a_2	b_1	b_2	d_1	h_1	h_3	l_2	$l_3 \pm 0.2$	$t_1 \text{ min.}$	Δ
GN 559-162-A-*	162	38	19	25	28	M 8	55	36	128	140	12	250

GN 559-B

Description	l_1	a_1	b_1	b_2	d_1	h_2	h_4	h_5	l_4	l_5	$t_2 \text{ min.}$	Δ
GN 559-162-B-*	162	38	25	28	M 8	57	38	28	8	22	16	233

GN 559-C

Description	l_1	a_3	b_1	b_2	d_2	h_2	h_4	h_5	l_6	l_7	t_3	Δ
GN 559-162-C-*	162	40	25	28	8.3	57	38	28	10	20	8	223

Weight SW

